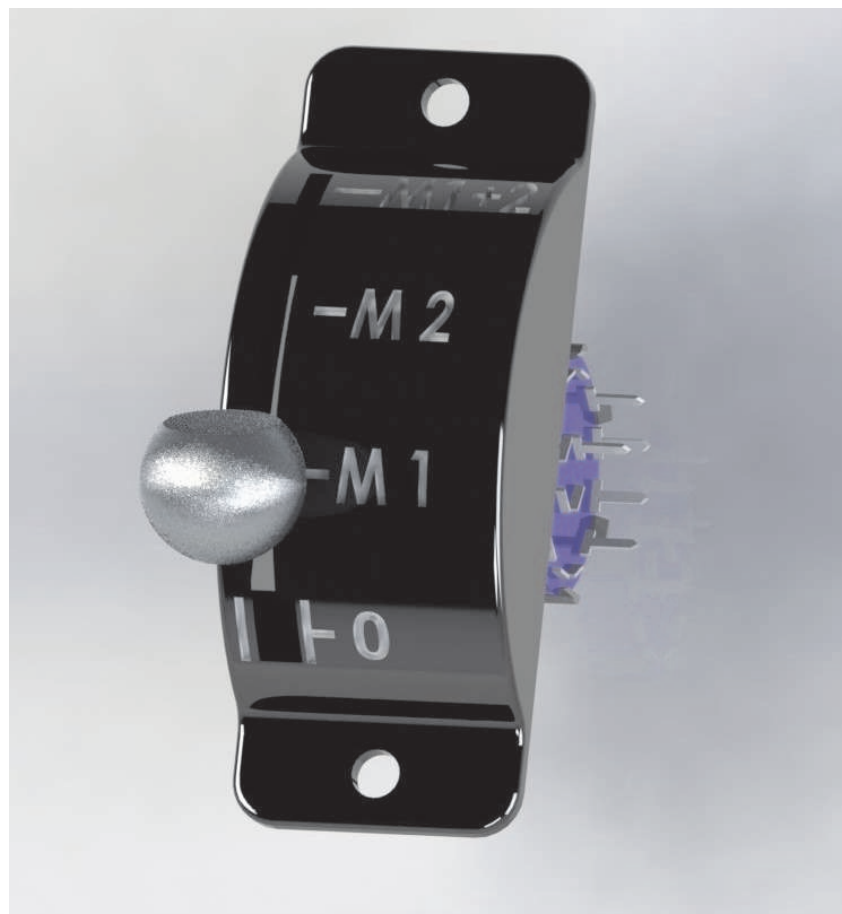


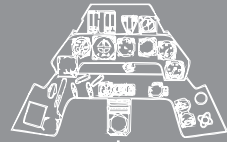
# FI-21118

Ignition Magneto Switch

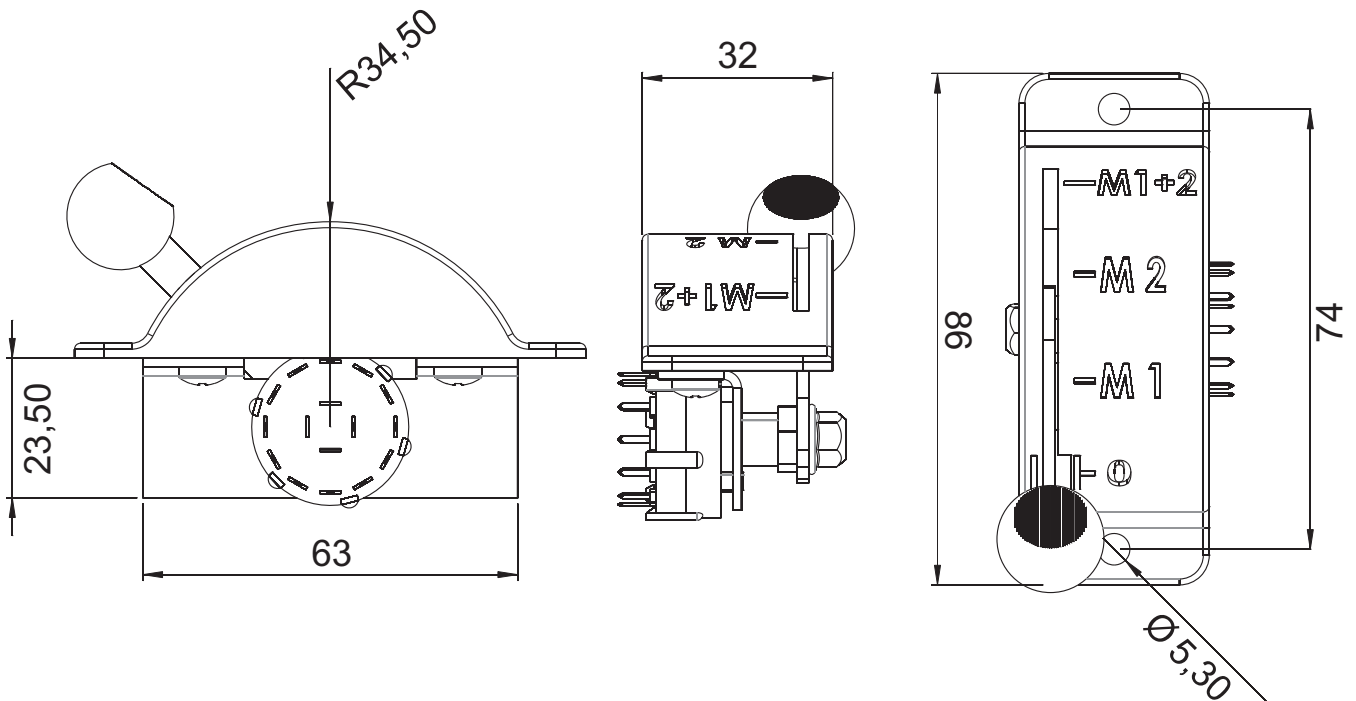


## Main Features

- True to original appearance
- PLA / aluminium housing
- 30° switch
- locking in 0-position



# FI-21118



## GENERAL SPECIFICATIONS

### Characteristics

Size:	168 x 168 x 12 mm
Weight:	200 g
Colour:	housing black / cover toggle silver painted
Temperature range:	5° - 65°

### Power

Connector:	open 30° switch (integrated)
Backlighting Power:	-
Cooling:	-

### Interface

Data I/O:	CAN-bus interface available
Connector:	CANbus - micromatch
Max. speed:	1 Mbit

### Mode of operation

Backlighting:	na
Software:	DCS / FSX / P3D /
Functions:	30° switch 4 Pos (off, l, r, both)